

Safety-Valve, springloaded

for non-toxic steam, gases and liquids

Typ 110

Standard version:

	Inlet body / Bonnet pipe		Temperature ranges
Material:			metal seated
Typ 110.1:	1.4104	/ 2.0401	-10°C to 130°C
Typ 110.2:	1.4571	/ 1.4301	-60°C to 130°C
Connections:			soft seated
Screwed connection: DIN ISO 228 / ASME B1.20.1			see techn. appendix: KWD-1

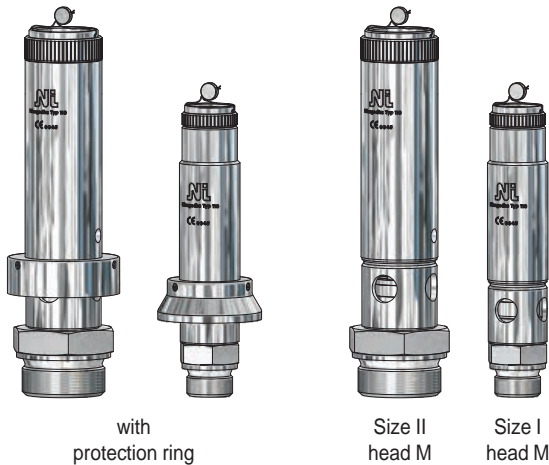
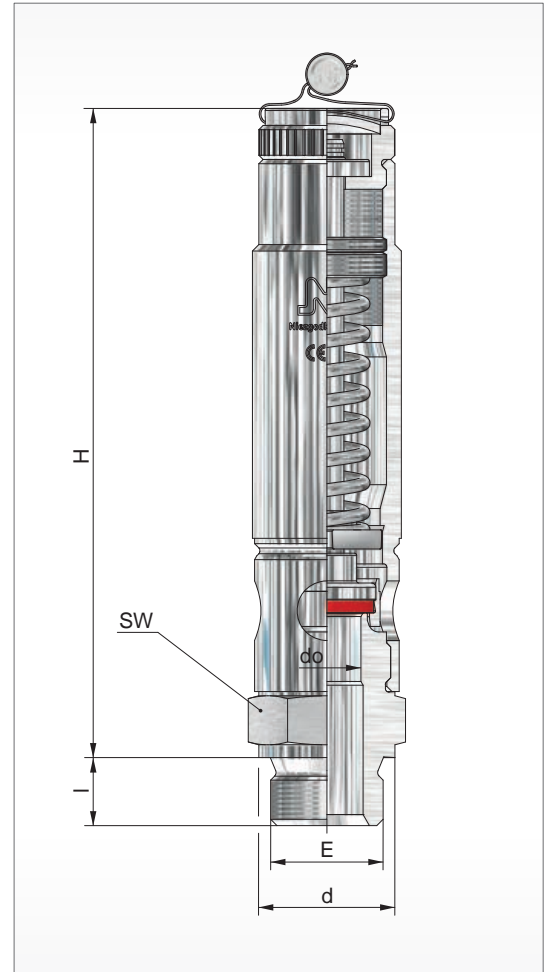
Approvals:

Pressure Equipment Directive: 97/23/EG
Declaration of Conformity



TÜV - Approval:

VdTÜV-leaflet AD 2000-leaflet A 2 TÜV • SV • XX-990 / 1050 • do • D/G • αw • p



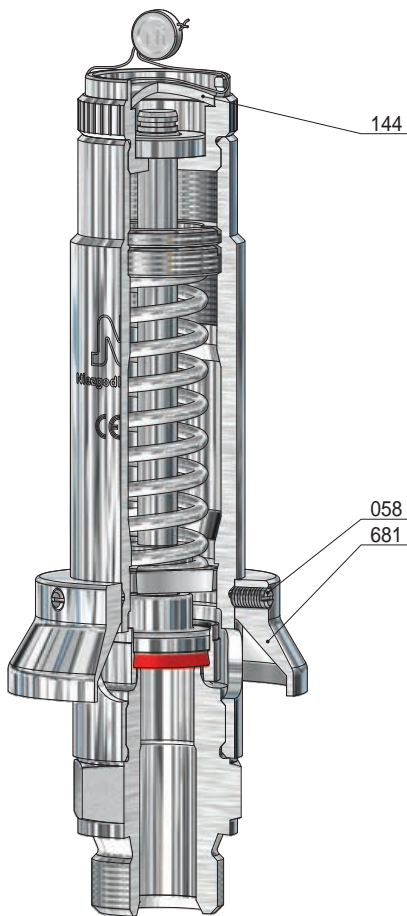
Size	Inlet				Outlet A	Dimensions		Height 'H' for head			Coefficient D/G αw max.	Set pressure		Weight ~ [kg]		
	E	d	I (G)	I (NPT)		SW	do	M				p min.	p max.			
		[mm]	[mm]	[mm]		[mm]	[mm]	[mm]				[bar(g)]	[bar(g)]			
I	3/8	22	12	11	free	32	10	153				0,29	0,1	52	0,5	
							8					0,46	15,0	84		
							12,5					0,12	0,1	45		
	1/2	26	14	14			10					0,29	0,1	52		
							8					0,46	15,0	84		
							16					0,13	0,05	31		
	3/4	32	16	14			12,5					0,12	0,1	45		
							10					0,29	0,1	52		
							8					0,46	15,0	84		
II	1/2	26	14	14	free	41	12,5	190				0,50	0,09	67	0,8	
							16					0,38	0,06	60		
	3/4	32	16	14			12,5					0,50	0,09	67		
							16					0,38	0,06	60		
	1	39	18	18			12,5					0,50	0,09	67		
							27					0,20	0,03	25		
	1 1/4	49	20	18			50					22	0,22	0,04		35
												16	0,38	0,06		60
	1 1/2	55	22	19			55					27	0,20	0,03		25
												22	0,16	0,04		35
	2	60	24	20			60					27	0,20	0,03		25

other design on request

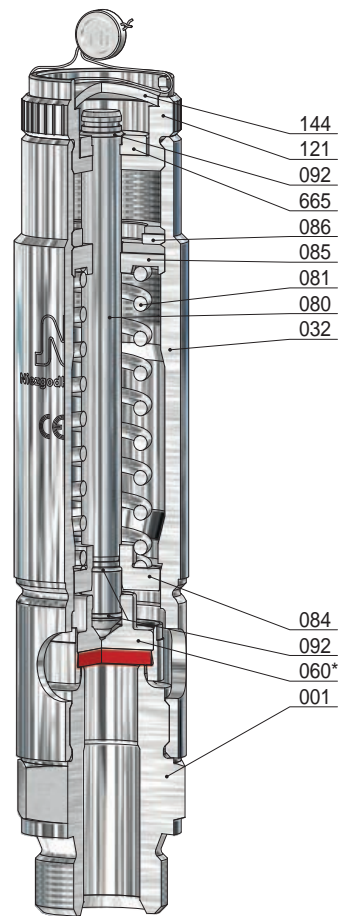
Safety-Valve, springloaded

for non-toxic steam, gases and liquids

Typ 110



with protection ring
recommend at each do
for $p > 30$ [bar(g)]



Size I
head M, liftable

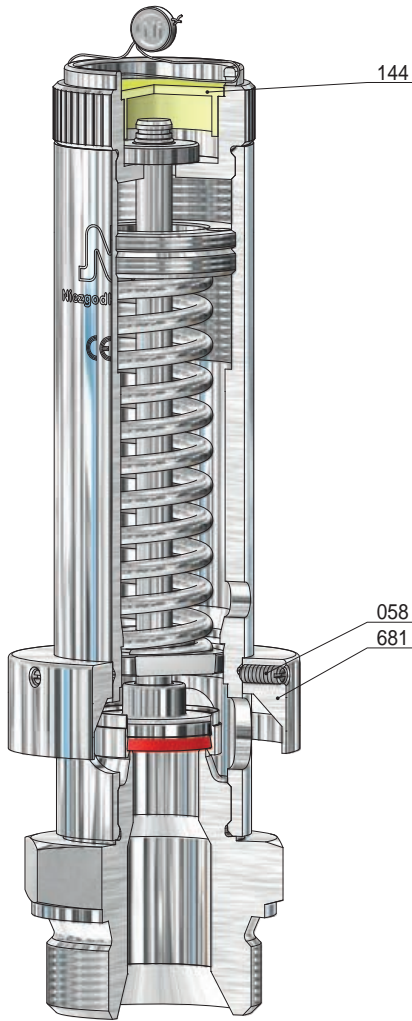
Item	Piece	Description	Item	Piece	Description
001	1	inlet body	121	1	lifting cap
032	1	bonnet pipe	144	1	lock washer
058	3	screwed pin	665	1	washer
060 *	1	disc, complete	681	1	protection ring
560	1	disc			
062	1	soft sealing			
063	1	disc ring			
080	1	spindle			
081	1	spring			
084	1	springplate, lower			
085	1	adjusting screw			
086	1	lock nut			
092	3	lock ring			

* expendable parts

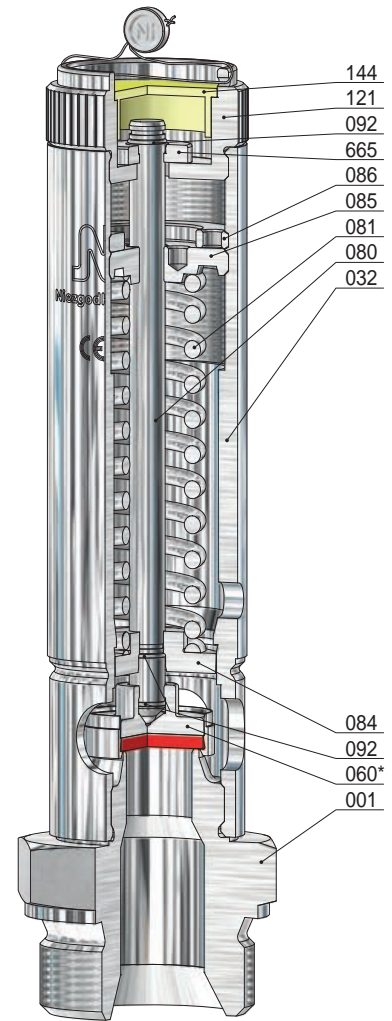
Safety-Valve, springloaded

for non-toxic steam, gases and liquids

Typ 110



with protection ring
 recommend at each
 do 12,5; 16: for / p > 30 [bar(g)]
 do 22: for / p > 10 [bar(g)]
 do 27: for / p > 8 [bar(g)]



Size II
 head M, liftable

Item	Piece	Description	Item	Piece	Description
001	1	inlet body	121	1	lifting cap
032	1	bonnet pipe	144	1	lock washer
058	3	screwed pin	665	1	washer
060 *	1	disc, complete	681	1	protection ring
560	1	disc			
062	1	soft sealing			
063	1	disc ring			
080	1	spindle			
081	1	spring			
084	1	springplate, lower			
085	1	adjusting screw			
086	1	lock nut			
092	3	lock ring			

* expendable parts