

Full-Lift-Safety-Valve, springloaded

for steam, gases and liquids

Typ 19

Standard version:

Material:	Inlet body	/ Outlet body	Temperature ranges
Typ 19.1:	1.4104	/ 0.7043	metal seated -10°C to 280°C
Typ 19.2:	1.4571	/ 1.4581	-60°C to 280°C
Typ 19.7:	1.4571	/ 1.4308 <i>only with head C</i>	-200°C to 280°C

Connections:	soft seated
Screwed connection: DIN ISO 228 / ASME B1.20.1	see techn. appendix: KWD-1

Approvals:

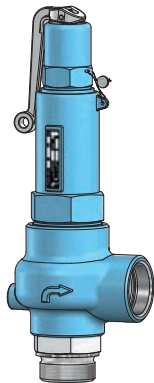
Pressure Equipment Directive: 97/23/EG
Declaration of Conformity



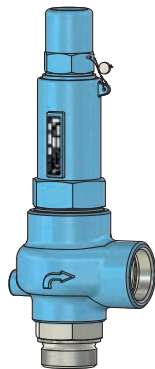
TÜV - Approval:

VdTÜV-leaflet AD 2000-leaflet A 2

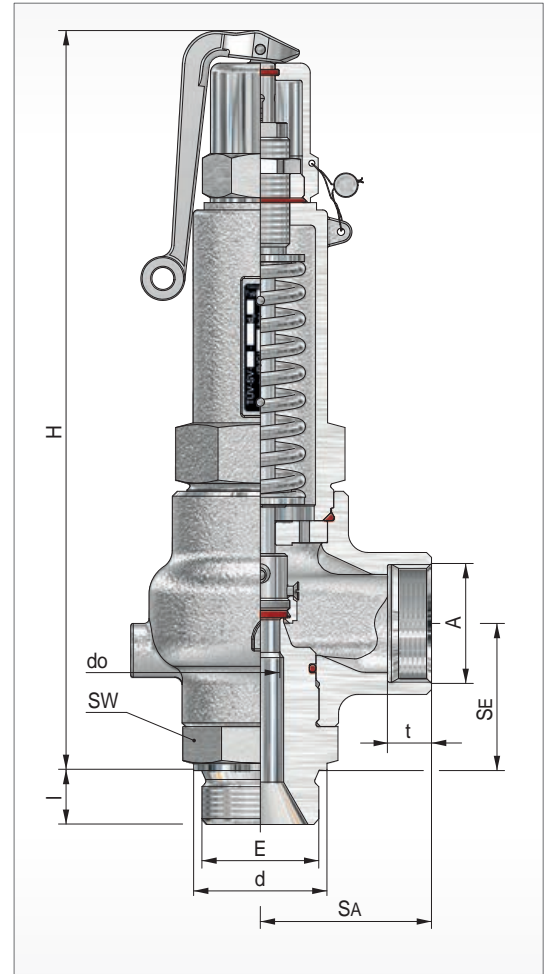
TÜV • SV • XX-940 • do • D/G/F • α_w • p



Size II
head A



Size II
head C



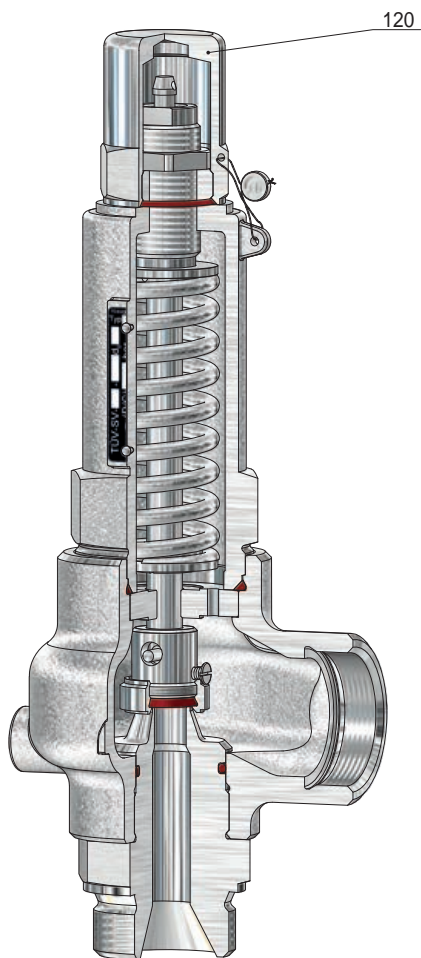
Size	Inlet					Outlet				Dimensions		Height 'H' for head			Coefficient		Set pressure		Weight ~ [kg]
	E	SE	d	l (G)	l (NPT)	A	SA	t (G)	t (NPT)	SW	do	A	C	D/G α _w max.	F α _w	p min. [bar(g)]	p max. [bar(g)]		
	[mm]	[mm]	[mm]	[mm]	[mm]	[mm]	[mm]	[mm]	[mm]	[mm]	[mm]	[mm]	[mm]			[bar(g)]	[bar(g)]		
II	¾	60	32	16	14	1 ½	70	18	18	50	12,5	305	290	0,77	-	7	130	3,6	
											12,5			0,77	0,56	20	130		
											16			0,60	0,45	0,10	70		
											12,5			0,77	-	7	130		
											12,5			0,77	0,56	20	130		
											16			0,60	0,45	0,10	70		
	1	60	39	18	18	1 ½	70	18	18	50	20	305	290	0,58	0,45	0,10	40		3,6
											16			0,60	0,45	0,10	70		
											20			0,58	0,45	0,10	40		
											25			0,52	0,37	0,05	30		
											20			0,58	0,45	0,10	40		
											25			0,52	0,37	0,05	30		
1 ¼	60	49	20	18	1 ½	70	18	18	50	20	305	290	0,58	0,45	0,10	40	3,6		
										25			0,52	0,37	0,05	30			
1 ½	60	55	22	19	1 ½	70	18	18	50	25	305	290	0,52	0,37	0,05	30		4,2	
										25			0,52	0,37	0,05	30			

other design on request

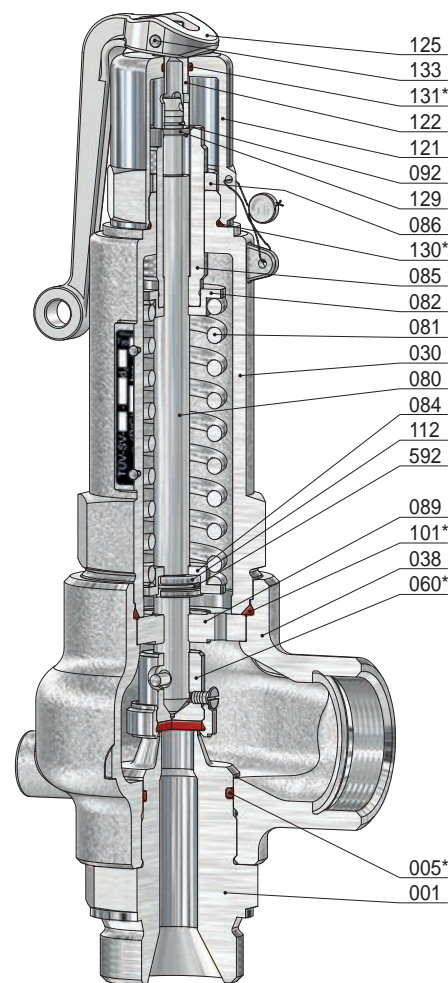
Full-Lift-Safety-Valve, springloaded

for steam, gases and liquids

Typ 19



Size II
head C



Size II
head A

Item	Piece	Description	Item	Piece	Description
001	1	inlet body	086	1	lock nut
005 *	1	o-ring	089	1	guide plate
030	1	spring bonnet	092	1	lock ring
038	1	outlet body	101 *	1	o-ring
060 *	1	disc, complete	112	1	splitted ring
560	1	disc	120	1	cap
062	1	soft sealing	121	1	lifting cap
063	1	disc ring	122	1	coupling
067	1	security screw	125	1	lifting button
107	1	spring pin	129	1	pressure plate
080	1	spindle	130 *	1	o-ring
081	1	spring	131 *	1	o-ring
082	1	springplate, upper	133	1	groove pin
084	1	springplate, lower	592	1	lock ring
085	1	adjusting screw			

* expendable parts