

Relief-Valve, springloaded

for steam, gases and liquids

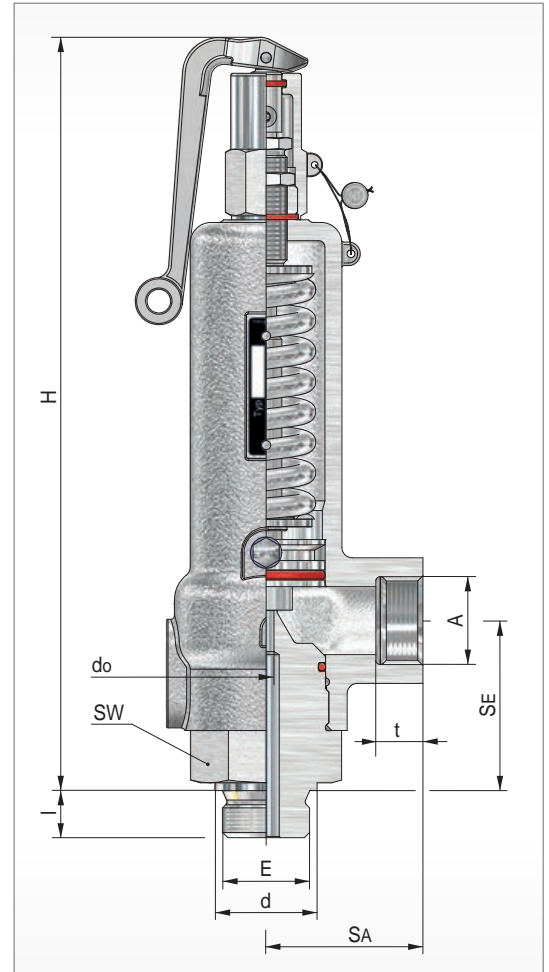
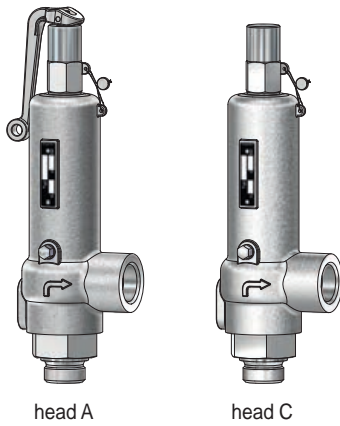
Typ 21

Standard version:

		Temperature ranges	
Material:	Inlet body / Spring bonnet	metal seated	
Typ 21.2:	1.4571 / 1.4581	-60°C to 280°C	
Connections:		soft seated	
Screwed connection: DIN ISO 228 / ASME B1.20.1		see techn. appendix: KWD-1	

Approvals:

Pressure Equipment Directive: 97/23/EG
Declaration of Conformity



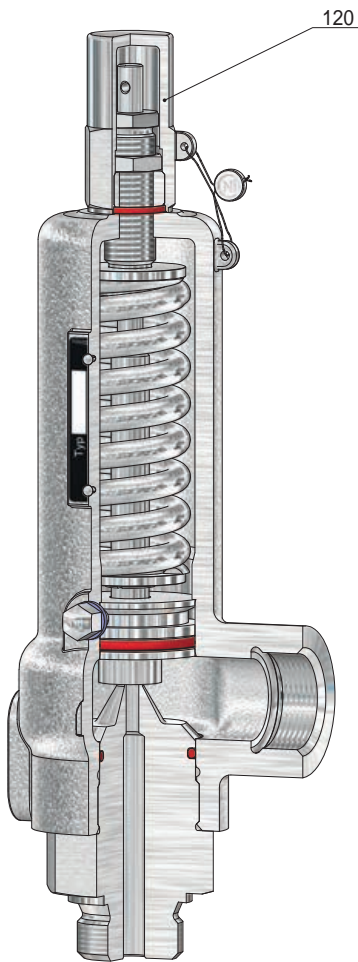
Size	Inlet					Outlet				Dimensions		Height 'H' for head		Coefficient		Set pressure		Weight	
	E	SE	d	l (G)	l (NPT)	A	SA	t (G)	t (NPT)	SW	do	A	C	D/G	F	p min.	p max.		
		[mm]	[mm]	[mm]	[mm]		[mm]	[mm]	[mm]	[mm]	[mm]	[mm]	[mm]	αw max.	αw	[bar(g)]	[bar(g)]	~ [kg]	
¾	65	32	16	14	1	60	18	19	50	8	290	275		0,08	0,05	100	600	4,2	
														0,08	0,05	100	1100		
														0,08	0,05	80	250		
														0,08	0,05	100	600		
1		39	18	18						12,5									
										8									

other design on request

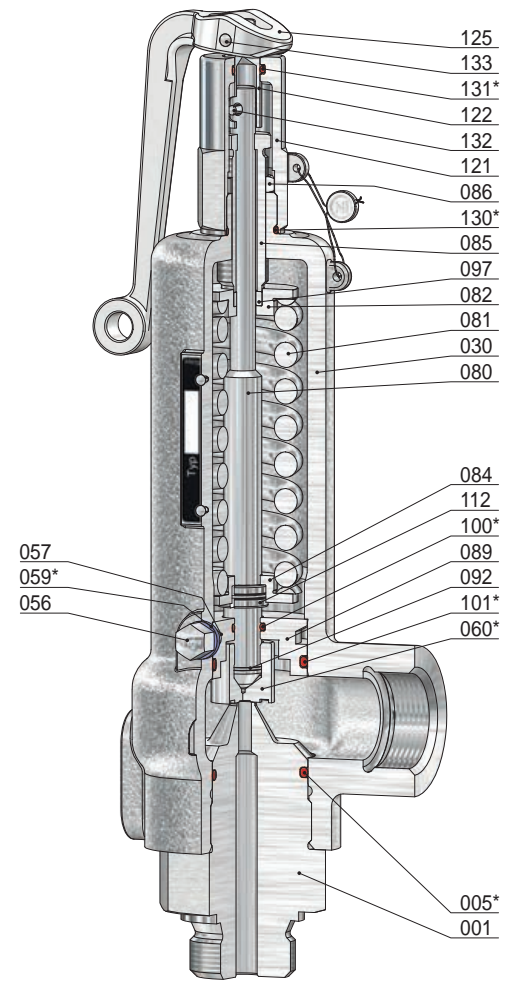
Relief-Valve, springloaded

for steam, gases and liquids

Typ 21



head C



head A

Item	Piece	Description	Item	Piece	Description
001	1	inlet body	092	1	lock ring
005 *	1	o-ring	097	1	glide ring
030	1	spring bonnet	100 *	1	o-ring
056	2	lock nut	101 *	1	o-ring
057	2	screwed pin	112	1	split ring
059 *	2	o-ring	120	1	cap
060 *	1	disc, complete	121	1	lifting cap
062	1	disc	122	1	coupling
080	1	spindle	125	1	lifting lever
081	1	spring	130 *	1	o-ring
082	1	springplate, upper	131 *	1	o-ring
084	1	springplate, lower	132	1	groove pin
085	1	adjusting screw	133	1	groove pin
086	1	lock nut			
089	1	guide plate			

* expendable parts