

Safety-Valve, springloaded

for non-toxic steam and gases

Typ 6

Standard version:

Operating temperature

Material:	Inlet body	/ Bonnet pipe	
Typ 6.2:	1.4571	/ 1.4301	-60°C to 130°C
Typ 6.3:	2.0401	/ 2.0401	-10°C to 130°C

Connections: soft seated
Screwed connection: DIN ISO 228 / ASME B1.20.1 see techn. appendix: KWD-1

Approvals:

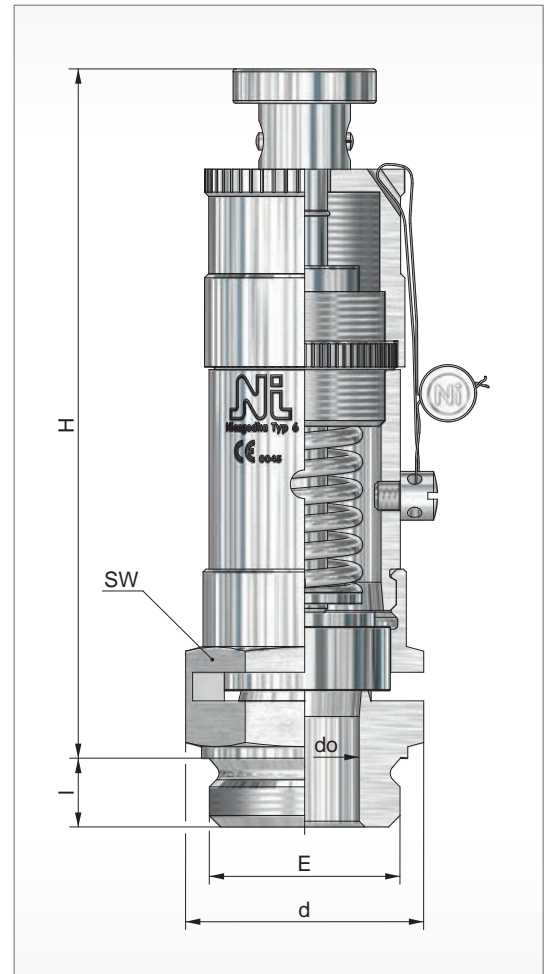
Pressure Equipment Directive: 97/23/EG
Declaration of Conformity



TÜV - Approval:

VdTÜV-leaflet AD 2000-leaflet A 2

TÜV • SV • XX-604 • do • D/G • α_w • p



G 1
head E



G 1
head C

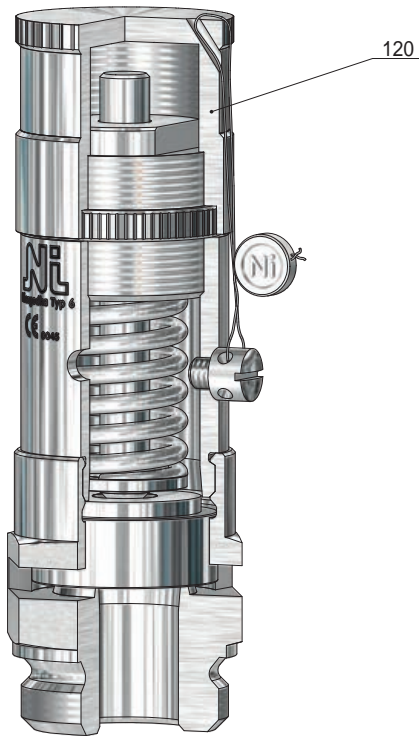
Size	Inlet			Outlet A	Dimensions			Height 'H' for head			Coefficient D/G α _w max.	Set pressure		Weight ~ [kg]
	E	d	l (G)		SW	do	Seat Ø	C	E	p min.		p max.		
		[mm]	[mm]		[mm]	[mm]	[mm]	[mm]	[mm]		[bar(g)]	[bar(g)]		
	½	26	12	free	36	13	20	103	121		0,70	0,05	10	0,40
	¾	32				19	20				0,40	0,05	6	0,50
	1	36				22	22				0,30	0,04	10	0,50

other design on request

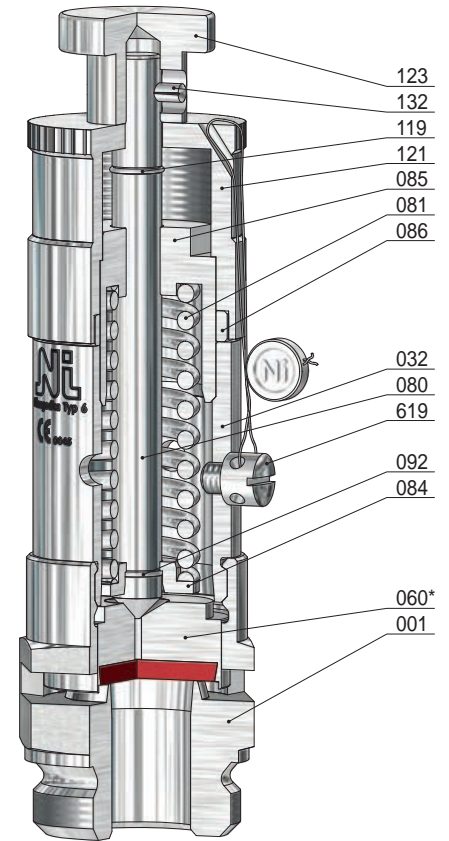
Safety-Valve, springloaded

for non-toxic steam and gases

Typ 6



G 1
head C



G 1
head E, liftable

Item	Piece	Description	Item	Piece	Description
001	1	inlet body	121	1	lifting cap
032	1	bonnet pipe	123	1	lifting button
060 *	1	disc, complete	132	1	groove pin
062	1	soft sealing	619	1	lead seal
080	1	spindle			
081	1	spring			
084	1	springplate, lower			
085	1	adjusting screw			
086	1	lock nut			
092	1	lock ring			
119	1	locking ring			
120	1	cap			

* expendable parts