

# Safety-Valve, springloaded

for container with liquid, granular or dusty goods

# Typ 69

### Standard version:

Operating temperature

**Material:** Inlet body / Bonnet pipe  
**Typ 69.2:** 1.4301 / 1.4301 -60°C to 130°C  
**Typ 69.3:** 2.0401 / 2.0401 -10°C to 130°C

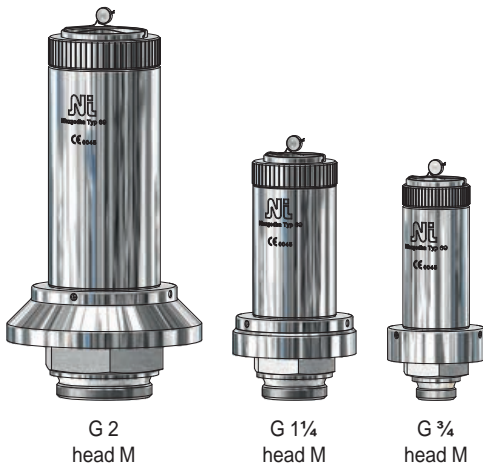
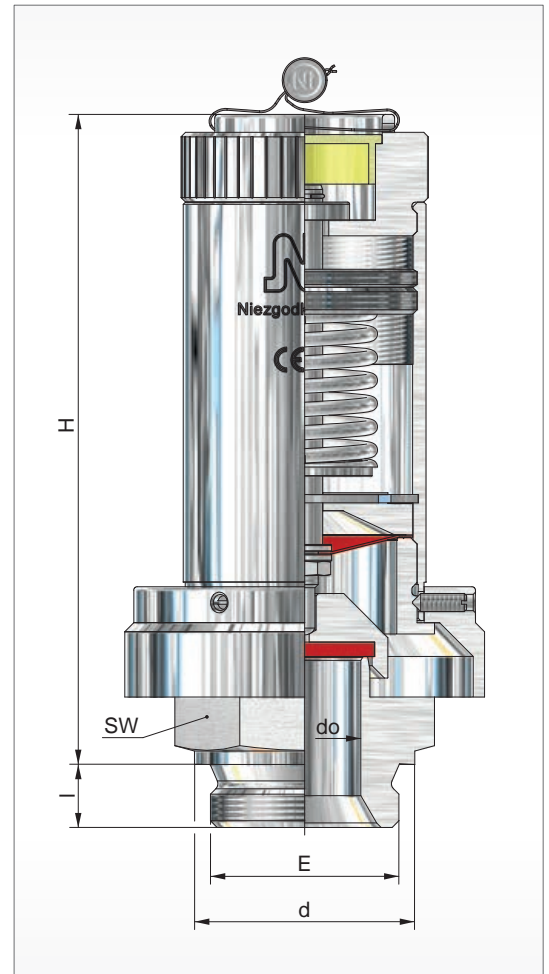
**Connections:** soft seated  
 Screwed connection: DIN ISO 228 see techn. appendix: KWD-1

### Approvals:

**Pressure Equipment Directive:** 97/23/EG  
 Declaration of Conformity



**TÜV - Approval:**  
 VdTÜV-leaflet AD 2000-leaflet A 2 TÜV • SV • XX-935 • do • F/K/S • aw • p



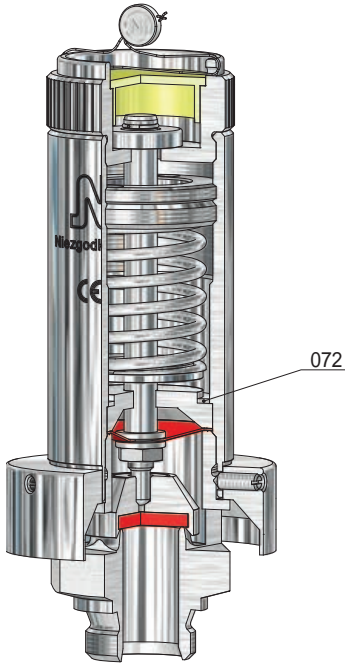
Size	Inlet			Outlet A	Dimensions			Height 'H' for head			Coefficient D αw max.	Set pressure		Gewicht ~ [kg]
	E	d	l (G)		SW	do	Seat Ø	M	p min.	p max.				
		[mm]	[mm]		[mm]	[mm]	[mm]	[mm]			[bar(g)]	[bar(g)]		
free	3/4	32	12	free	41	20	20	129			0,77	0,5	5,7	1,0
	1	39												
	1 1/4	49												
	1 1/2	55	14											

other design on request

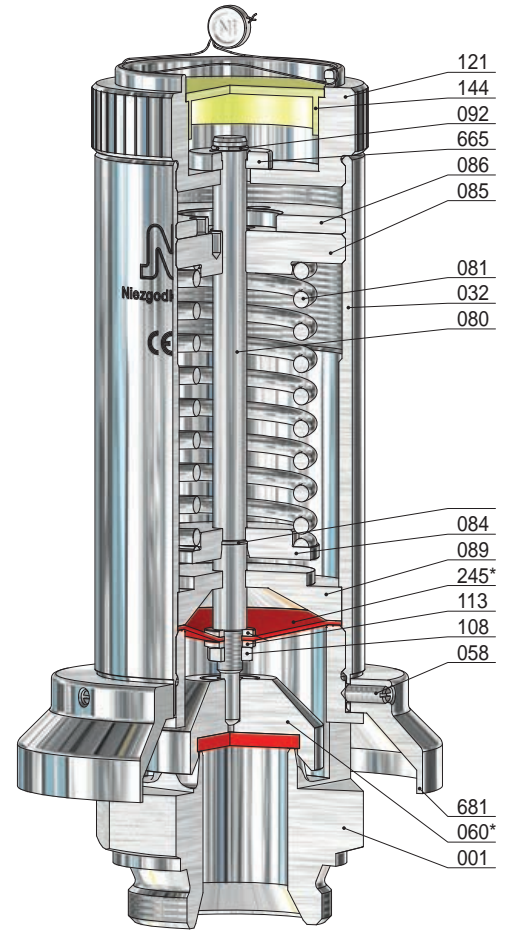
# Safety-Valve, springloaded

for container with liquid, granular or dusty goods

## Typ 69



G 3/4  
head M, liftable



G 1 1/2  
head M, liftable

Item	Piece	Description	Item	Piece	Description
001	1	inlet body	108	1	nut
032	1	bonnet pipe	113	2	washer
060 *	1	disc, complete	121	1	lifting cap
062	1	soft sealing	144	1	lock washer
072	1	locking ring	245 *	1	diaphragm
080	1	spindle	665	1	washer
081	1	spring	681	1	protection ring
084	1	springplate, lower			
085	1	adjusting screw			
086	1	lock nut			
089	1	guideplate			
092	2	lock ring			

\* expendable parts