

# Safety-Valve, springloaded

for steam, gases and liquids

# Typ 140

### Standard version:

Material:		Inlet body / Spring bonnet		Temperature ranges
Type 140.1:	1.4104	/	1.4104	-10°C to 280°C
Type 140.2:	1.4404	/	1.4404	-200°C to 280°C
Type 140.7:	1.4571	/	1.4571	-200°C to 280°C

Connections:		soft seated
Screwed connection: DIN ISO 228 / ASME B1.20.1		see techn. appendix: KWD-1

### Approvals:

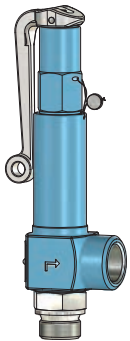
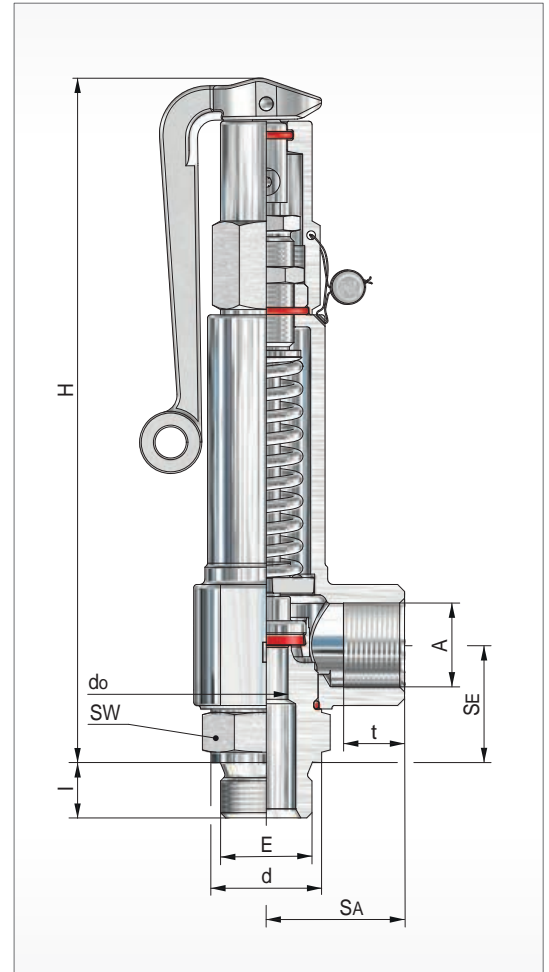
Pressure Equipment Directive: 97/23/EG  
Declaration of Conformity



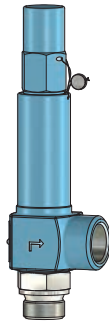
### TÜV - Approval:

VdTÜV-leaflet AD 2000-leaflet A 2

TÜV • SV • XX-1067 • do • D/G/F • α<sub>w</sub> • p



Size I  
head A



Size I  
head C

Size	Inlet					Outlet				Dimensions		Height 'H' for head			Coefficient		Set pressure		Weight ~ [kg]
	E	SE	d	l (G)	l (NPT)	A	SA	t (G)	t (NPT)	SW	do	A	C	D/G	F	p min.	p max.		
	[mm]	[mm]	[mm]	[mm]	[mm]	[mm]	[mm]	[mm]	[mm]	[mm]	[mm]	[mm]	[mm]	[mm]	[mm]	[bar(g)]	[bar(g)]		
I	3/8	34	22	12	11	1/2	35	15	14	32	10	200	185	0,31	0,24	0,2	200	1,0	
														0,44	0,33	6,0	300		
														0,26	0,19	0,2	100		
														0,31	0,24	0,2	200		
														0,44	0,33	6,0	300		
														0,31	0,24	0,2	200		
	1/2	34	26	14	14	3/4	40	17	15	32	10	200	185	0,60	-	50,0	500		
														0,26	0,19	0,2	100		
														0,31	0,24	0,2	200		
														0,44	0,33	6,0	300		
														0,31	0,24	0,2	200		
														0,60	-	50,0	500		
3/4	34	32	16	14	1/2	35	15	14	32	10	200	185	0,31	0,24	0,2	200			
													0,44	0,33	6,0	300			
													0,31	0,24	0,2	200			
													0,60	-	50,0	500			
													0,26	0,19	0,2	100			
													0,31	0,24	0,2	200			
3/4	34	32	16	14	3/4	40	17	15	32	10	200	185	0,31	0,24	0,2	200			
													0,44	0,33	6,0	300			
													0,31	0,24	0,2	200			
													0,60	-	50,0	500			
													0,26	0,19	0,2	100			
													0,31	0,24	0,2	200			

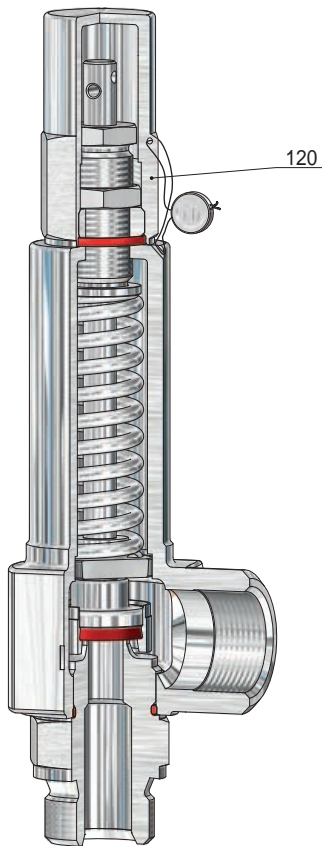
other design on request

<sup>1)</sup> type 140.1 to 300 bar(g)

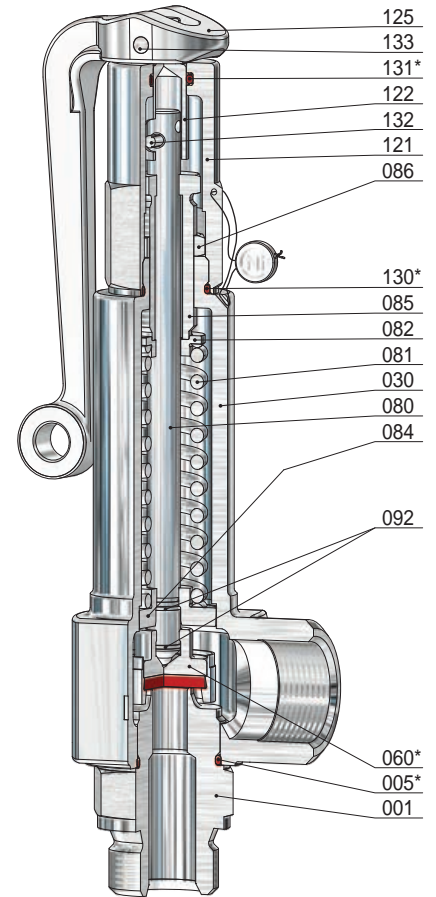
# Safety-Valve, springloaded

for steam, gases and liquids

# Typ 140



Size I  
head C



Size I  
head A

Item	Piece	Description	Item	Piece	Description
001	1	inlet body	120	1	cap
005 *	1	o-ring	121	1	lifting cap
030	1	spring bonnet	122	1	coupling
060 *	1	disc, complete	125	1	lifting button
560	1	disc	130 *	1	o-ring
062	1	soft sealing	131 *	1	o-ring
063	1	disc ring	132	1	groove pin
080	1	spindle	133	1	groove pin
081	1	spring			
082	1	springplate, upper			
084	1	springplate, lower			
085	1	adjusting screw			
086	1	lock nut			
092	2	lock ring			

\* expendable parts